

4. GRAVIRNA GLODALA OD TVRDOG METALA



A Glodalo gravirno s ravnim vrhom

D Glodalo gravirno sa šiljastim vrhom 60°

B Glodalo gravirno sa šiljastim vrhom 100°

E Glodalo gravirno s tupim vrhom 15°

C Glodalo gravirno s kuglastim vrhom

TM Tvrdi metal

NAPOMENE:

- Osim dimenzija navedenih u tablicama, izrađujemo i glodala prema zahtjevanim dimenzijama;
- Standardni izbor kvalitete tvrdog metala prema ISO oznakama pokriva od K 20 ÷ K 40;
- Prema vašem zahtjevu izrađujemo i u oznakama od P 20 ÷ P 40 i od K 10 ÷ K 40.

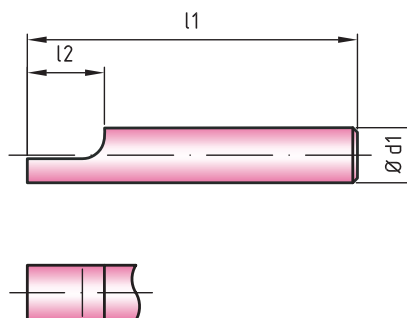
Glodalo gravirno s ravnim vrhom

Norma
PPM

- Rotary engraving cutters, half-round parallel
- Gravierstichel, einseitig halbiert
- Gravirni nož enostranski z ravnim vrhom

A

TM



d1, mm	l1, mm	l2, mm	šifra	d1, mm	l1, mm	l2, mm	šifra	d1, mm	l1, mm	l2, mm	šifra
2.0	60	6	GN1020								
2.5	60	6	GN1025								
3.0	60	6	GN1030	3.0	100	6	GN2030				
4.0	60	6	GN1040	4.0	100	6	GN2040				
5.0	60	8	GN1050	5.0	100	8	GN2050				
6.0	60	8	GN1060	6.0	100	8	GN2060				
7.0	60	12	GN1070	7.0	100	8	GN2070				
8.0	60	12	GN1080	8.0	100	12	GN2080	8.0	150	12	GN3080
9.0	60	12	GN1090	9.0	100	12	GN2090	9.0	150	12	GN3090
10.0	60	14	GN1100	10.0	100	14	GN2100	10.0	150	14	GN3100
				11.0	100	14	GN2110	11.0	150	14	GN3110
				12.0	100	16	GN2120	12.0	150	16	GN3120
				13.0	100	16	GN2130	13.0	150	16	GN3130
				14.0	100	18	GN2140	14.0	150	18	GN3140
				15.0	100	18	GN2150	15.0	150	18	GN3150
				16.0	100	20	GN2160	16.0	150	20	GN3160
								18.0	150	20	GN3180
								20.0	150	20	GN3200

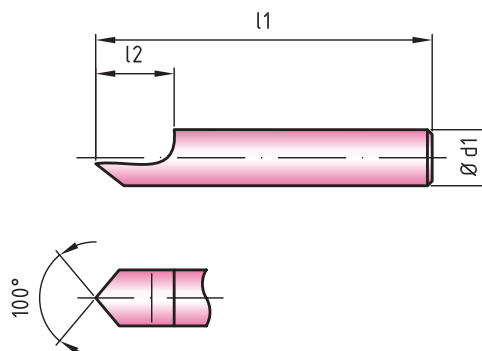
Glodalo gravirno sa šiljastim vrhom 100°

Norma
PPM

- Rotary engraving cutters, 50 degree bevelled
- Gravierstichel, spitz 100°
- Gravirni nož, ostri 100°

B

TM



d1, mm	l1, mm	l2, mm	šifra	d1, mm	l1, mm	l2, mm	šifra	d1, mm	l1, mm	l2, mm	šifra
2.0	60	6	GN4020								
2.5	60	6	GN4025								
3.0	60	6	GN4030	3.0	100	6	GN5030				
4.0	60	6	GN4040	4.0	100	6	GN5040				
5.0	60	8	GN4050	5.0	100	8	GN5050				
6.0	60	8	GN4060	6.0	100	8	GN5060				
7.0	60	12	GN4070	7.0	100	8	GN5070				
8.0	60	12	GN4080	8.0	100	12	GN5080	8.0	150	12	GN6080
9.0	60	12	GN4090	9.0	100	12	GN5090	9.0	150	12	GN6090
10.0	60	14	GN4100	10.0	100	14	GN5100	10.0	150	14	GN6100
				11.0	100	14	GN5110	11.0	150	14	GN6110
				12.0	100	16	GN5120	12.0	150	16	GN6120
				13.0	100	16	GN5130	13.0	150	16	GN6130
				14.0	100	18	GN5140	14.0	150	18	GN6140
				15.0	100	18	GN5150	15.0	150	18	GN6150
				16.0	100	20	GN5160	16.0	150	20	GN6160
								18.0	150	20	GN6180
								20.0	150	20	GN6200

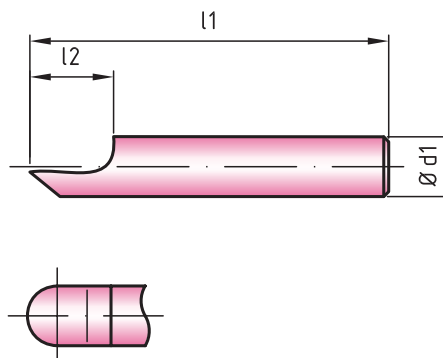
Glodalo gravirno s kuglastim vrhom

**Norma
PPM**

- Rotary engraving cutters, ballnose
- Gravierstichel, rund
- Gravirni nož z radius vrhom

C

TM



d1, mm	l1, mm	l2, mm	šifra	d1, mm	l1, mm	l2, mm	šifra	d1, mm	l1, mm	l2, mm	šifra
2.0	60	6	GN7020								
2.5	60	6	GN7025								
3.0	60	6	GN7030	3.0	100	6	GN8030				
4.0	60	6	GN7040	4.0	100	6	GN8040				
5.0	60	8	GN7050	5.0	100	8	GN8050				
6.0	60	8	GN7060	6.0	100	8	GN8060				
7.0	60	12	GN7070	7.0	100	8	GN8070				
8.0	60	12	GN7080	8.0	100	12	GN8080	8.0	150	12	GN9080
9.0	60	12	GN7090	9.0	100	12	GN8090	9.0	150	12	GN9090
10.0	60	14	GN7100	10.0	100	14	GN8100	10.0	150	14	GN9100
				11.0	100	14	GN8110	11.0	150	14	GN9110
				12.0	100	16	GN8120	12.0	150	16	GN9120
				13.0	100	16	GN8130	13.0	150	16	GN9130
				14.0	100	18	GN8140	14.0	150	18	GN9140
				15.0	100	18	GN8150	15.0	150	18	GN9150
				16.0	100	20	GN8160	16.0	150	20	GN9160
								18.0	150	20	GN9180
								20.0	150	20	GN9200

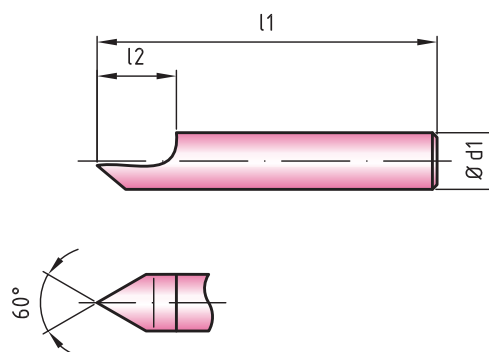
Glodalo gravirno sa šiljastim vrhom 60°

**Norma
PPM**

- Rotary engraving cutters, 30 degree bevelled
- Gravierstichel, spitz 60°
- Gravirni nož, ostrji 60°

D

TM



d1, mm	l1, mm	l2, mm	šifra	d1, mm	l1, mm	l2, mm	šifra	d1, mm	l1, mm	l2, mm	šifra
2.0	60	6	GT1020								
2.5	60	6	GT1025								
3.0	60	6	GT1030	3.0	100	6	GT2030				
4.0	60	6	GT1040	4.0	100	6	GT2040				
5.0	60	8	GT1050	5.0	100	8	GT2050				
6.0	60	8	GT1060	6.0	100	8	GT2060				
7.0	60	12	GT1070	7.0	100	8	GT2070				
8.0	60	12	GT1080	8.0	100	12	GT2080	8.0	150	12	GT3080
9.0	60	12	GT1090	9.0	100	12	GT2090	9.0	150	12	GT3090
10.0	60	14	GT1100	10.0	100	14	GT2100	10.0	150	14	GT3100
				11.0	100	14	GT2110	11.0	150	14	GT3110
				12.0	100	16	GT2120	12.0	150	16	GT3120
				13.0	100	16	GT2130	13.0	150	16	GT3130
				14.0	100	18	GT2140	14.0	150	18	GT3140
				15.0	100	18	GT2150	15.0	150	18	GT3150
				16.0	100	20	GT2160	16.0	150	20	GT3160
								18.0	150	20	GT3180
								20.0	150	20	GT3200

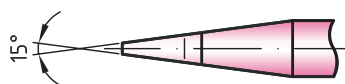
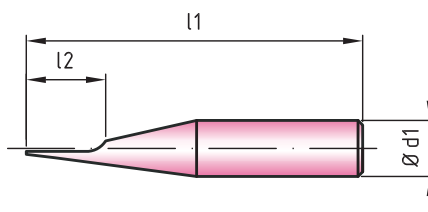
Glodalo gravirno s tupim vrhom 15°

**Norma
PPM**

- Rotary engraving cutters, 7,5 degree bevelled
- Gravierstichel, spitz abgesetzt 15°
- Gravirni nož z tupim vrhom 15°

E

TM



d1, mm	l1, mm	l2, mm	šifra	d1, mm	l1, mm	l2, mm	šifra	d1, mm	l1, mm	l2, mm	šifra
2.0	60	6	GT4020								
2.5	60	6	GT4025								
3.0	60	6	GT4030	3.0	100	6	GT5030				
4.0	60	6	GT4040	4.0	100	6	GT5040				
5.0	60	8	GT4050	5.0	100	8	GT5050				
6.0	60	8	GT4060	6.0	100	8	GT5060				
7.0	60	12	GT4070	7.0	100	8	GT5070				
8.0	60	12	GT4080	8.0	100	12	GT5080	8.0	150	12	GT6080
9.0	60	12	GT4090	9.0	100	12	GT5090	9.0	150	12	GT6090
10.0	60	14	GT4100	10.0	100	14	GT5100	10.0	150	14	GT6100
				11.0	100	14	GT5110	11.0	150	14	GT6110
				12.0	100	16	GT5120	12.0	150	16	GT6120
				13.0	100	16	GT5130	13.0	150	16	GT6130
				14.0	100	18	GT5140	14.0	150	18	GT6140
				15.0	100	18	GT5150	15.0	150	18	GT6150
				16.0	100	20	GT5160	16.0	150	20	GT6160
								18.0	150	20	GT6180
								20.0	150	20	GT6200